

TECHNICAL DATA

Weight:	194 kg
Grill Rack size:	530 x 570 mm
Capacity:	20 kg meat / h
Working temperature:	250 - 350 °C
Av. daily charcoal cons.:	5 - 8 kg

PACKAGE

Weight:	175 kg + 40 kg
Package 1 dimensions:	800 x 750 x 800 mm
Package 2 dimensions:	800 x 600 x 800 mm

STANDARD EQUIPMENT

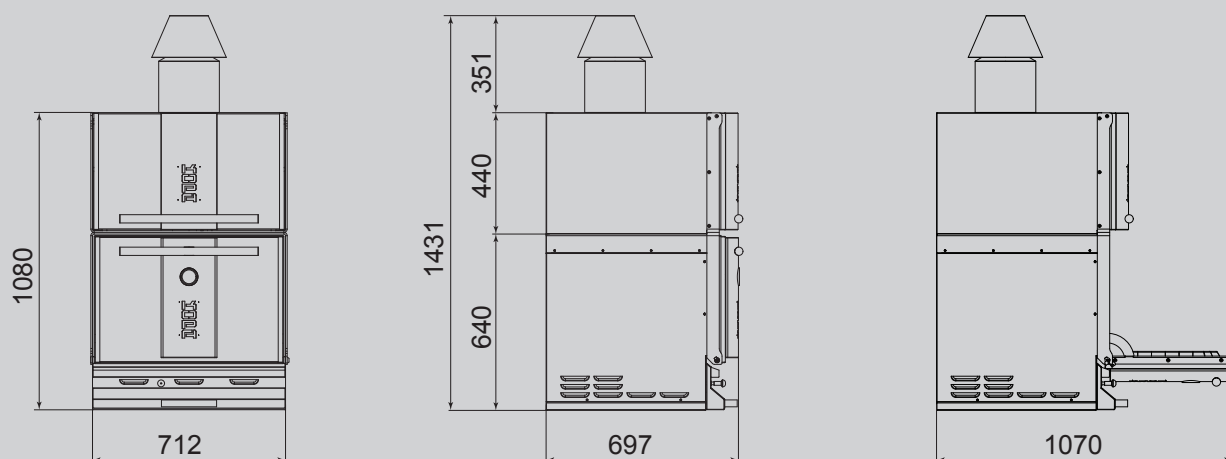
Firebreak
 Firebreak Hood
 Grill Rack 2x
 Thong
 Ash Drawer
 Hot cupboard with shelf

OPTIONAL EQUIPMENT

Additional Grill Rack
 Additional Thong
 Brush
 Side Table - left and right



TECHNICAL DRAWINGS



Available in these colors:



Red



Black



Brown



Shiny metal and gold*
 *surcharge